

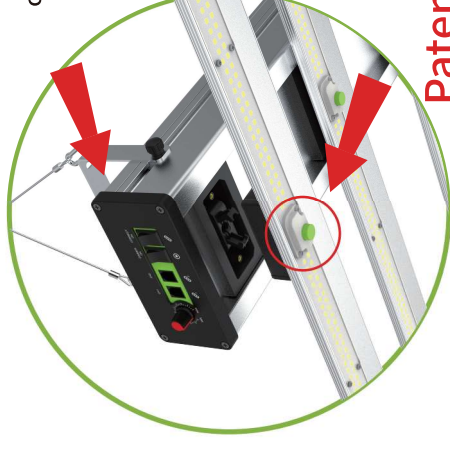
LED VEG LIGHT

520W

electrivu



Precise Control
0-10V dimming
control for individual
fixture or fixture
group dimming
control(daisy chain
via RJ11 cable)



**SNAP
ON/OFF!**
Patented Design



Application

(Suitable for mother room , propagation , vegetative growth.)

- Indoor Farming
- Vertical Farming

Features & Benefits

- Constant current driver, durable life
- Full-spectrum, similar to sunlight, higher crop yield
- IP65 waterproof rating, suitable for high humidity application
- 0-10V dimming
- Flicker free
- Suspension and ceiling mounting option, mounting height 6" - 48"
- Application environment: indoor cultivation

- **One-click snap-on assembly, easy to install and upgrade.**
- **Dimmable upto 100 fixtures via daisy chain.**
- Sustainable packaging to minimize packaging and transportation cost.
- Adjustable hanging cable, adaptable to different stage of the grow cycle.
- Robust mechanical and electrical connection for product reliability.
- Independent external driver, easy installation and upgrade.
- Separable modular design, customizable to unique cultivation requirement.
- Modular design to maximize selling configuration while minimizing redundant inventory.

LED VEG LIGHT

520W PPE2.6µmol/J

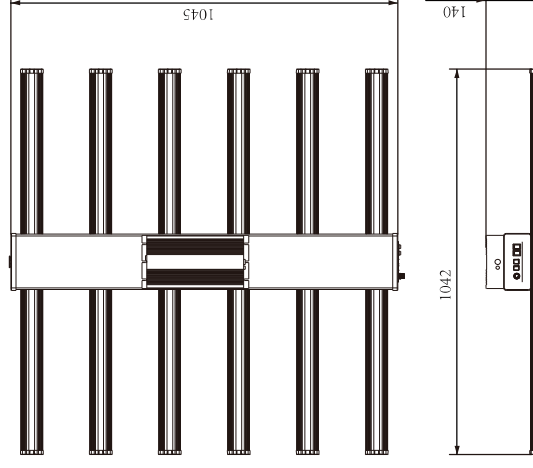
Features & Benefits

Input Power	520W
Photosynthetic photon flux	1350µmol/s
Luminous Efficacy	2.6µmol/J
Viewing Angle	110°
CRI	>88
Input Voltage	100-277Vac 50/60Hz
Amp Draw	4.73A@120V, 2.67A@220V, 2.46A@240V, 2.15A@277V
PF	>0.9
THD	<20%
Driver Surge protection	6KV
Dimming	0-10V
LED Type	3000K+5000K 450nm+660nm(Samsung/Seoul Diodes)
Housing	Aluminum Alloy
Housing Color	Silver
Heat Output	1847 BTU
Operating Temperature	-10~40°C
Operating Humidity	10%-90% RH
Storage Temperature	-25~60°C
Storage Humidity	10%-90% RH
Warranty Time	5years
N.W (KG)	11.5KG/25.35LBS
G.W (KG)	13.5KG/29.76LBS
Packing Dimension(mm)	1162*245*245mm

Performance Data

Model	Input Voltage	Input Power	PPF	PPE	ETL	DLC	FCC
GL6-M10-520-B66-A1D	100-277Vac	520W	1350µmol/s	2.6µmol/J	Yes	Yes	Yes

Dimension Drawing



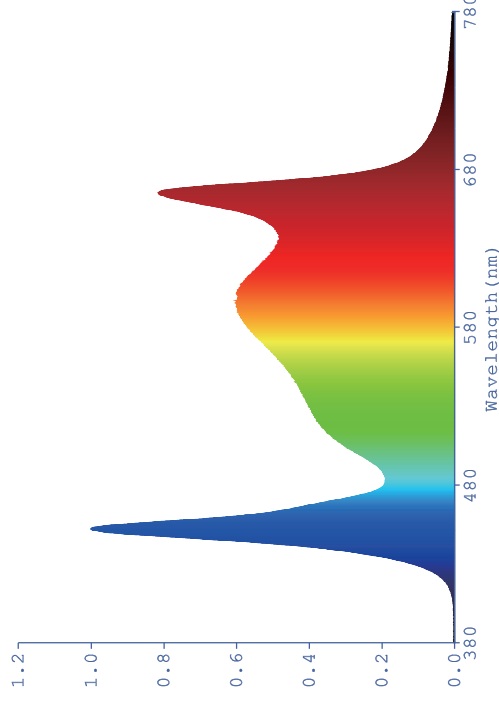
Length (L)	1045mm (41.1")
Width (W)	1042mm (41.0")
Height (H)	140mm (5.5")

Recommended Application

Multi-layer	4-5FT wide benches, 4-6 in from canopy
Room	6x6FT Vegetative
Tent	6x6FT Vegetative

electrivo

Spectral Distribution



PPFD Reading -- 4FT to 4FT area

496	533	535	559	539	534	522	519	617	713	718	745	743	707	686	671
515	567	570	600	594	560	571	558	677	780	788	851	820	789	751	741
498	572	583	615	597	608	558	551	669	800	836	896	865	863	778	738
472	570	585	625	605	618	558	525	639	804	849	915	884	882	779	712
464	572	587	627	605	612	552	519	647	803	848	916	885	880	776	717
505	582	591	620	595	603	550	541	662	807	835	882	863	861	767	739
482	574	574	604	581	580	533	501	639	753	774	831	804	802	712	671
489	519	515	523	532	529	522	483	598	635	625	682	650	688	663	607

1.2m 48"

623	743	734	772	762	773	733	677	597	761	769	789	796	856	747	689
704	851	880	937	929	926	843	808	784	1012	1045	1107	1076	1087	978	843
716	889	949	1017	987	993	895	812	823	1070	1149	1220	1194	1200	1059	898
697	882	983	1039	1018	1016	887	794	755	1061	1145	1232	1194	1207	1054	880
685	881	886	1042	1016	1007	887	797	764	1077	1156	1239	1199	1193	1048	889
724	871	938	1004	984	963	866	811	845	1089	1144	1235	1180	1201	1053	917
664	793	847	910	885	886	787	735	741	958	1035	1095	1063	1052	942	810
613	665	663	736	784	757	700	634	594	638	701	756	699	733	755	642

0.45m 18"

0.3m 12"

DIMMER BOX GROUP CONTROL INSTRUCTION electrivo

Instruction

Fixtures could be daisy chain for group control.

1. Definition:

CH1	RJ cable inlet
CH2	RJ cable outlet
DIMMER ON/OFF	Group dimming ON/OFF
CONNECT ON/OFF	Group lighting ON/OFF

2. Default setting:

DIMMER:ON CONNECT:ON Dimming:MIN (0%)

3. Function:

3.1 How to turn group ON/OFF

Set all the fixtures "DIMMER" and "CONNECT" on, then the group could be turn ON/OFF by setting one individual fixture to ON/OFF.

3.2 How to dim group fixtures

Set all the fixtures "DIMMER" and "CONNECT" on, the fixtures in the group can be dimmed by turning the dimmer dial on the any one of the fixture.

3.3 How to control single fixture

If you need to control any single one of fixture, please set the "DIMMER" on and "CONNECT" off, and then the fixture can be controlled individually.

3.4 Connect external smart dimming device

This product can be controlled by external smart dimming device with RJ11 connector in two steps:

- * Connect the smart dimmer via RJ cable.
- * Set the "DIMMER" OFF and "CONNECT" ON for a desired group of fixture.

4. Method of troubleshooting when problems arise:

4.1 Unable to turn on the light

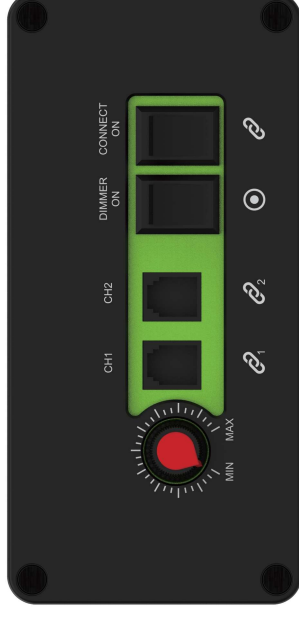
Check all the dimmer dial, make sure they are at 100% position.

4.2 Out of sync

Power on, group control the fixtures, but some one are out of sync. Check the "CONNECT" is set to "ON" on the fixture(s).

4.3 Unable dimming

Power on, dim the fixture the fixture fails to dim. Check the "DIMMER" is set to "ON" on the fixture(s).



This device complies with part 15 of the FCC Rules. Operation is subject to the following two conditions: (1) This device may not cause harmful interference, and (2) this device must accept any interference received, including interference that may cause undesired operation.

Installation & Usage Guide

WARNING AND CAUTION

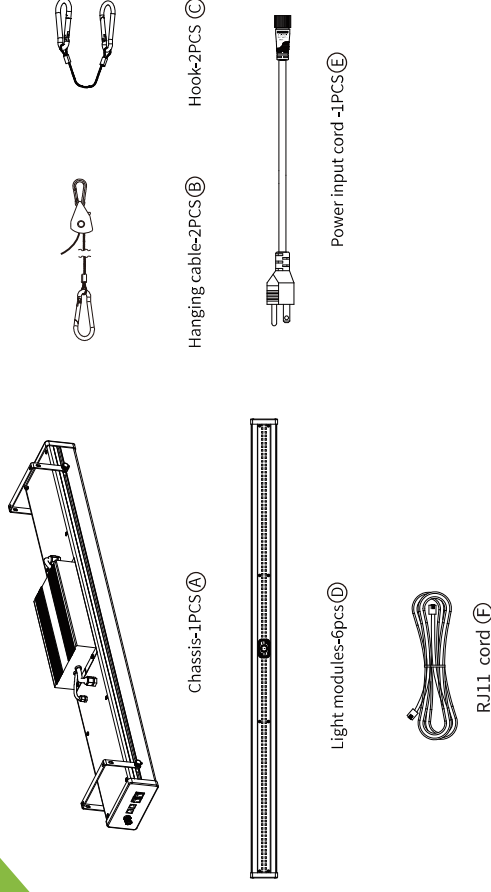
- * Please read the following instructions carefully before using this grow lighting fixture.
- * Make sure main power is switched off before connecting the light fixture.
- * DO NOT connect or disconnect the LED fixture under load.
- * Always allow for a cool down period of at least 30 minutes before touching the LED bars
- * Please DO NOT use this product outdoors.
- * Connect the cables according to local laws, safety regulations and electrical code.
- * Mounting and installing of the LED fixture may only be performed by certified service person, in accordance with the applicable local laws and regulations
- * **ALL THE LIGHT MODULES MUST BE ATTACHED TO THE CHASSIS AND WELL CONNECTED BEFORE TURNING ON THE POWER.**

PLANNING THE INSTALLATION

Read all instructions before installation. Before starting installation of this fixture or removal of a previous fixture, disconnect the power by turning off circuit breaker or by removing the fuse at the fuse box.

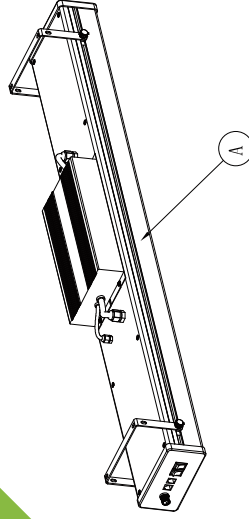
Installation method 1: Hoisting

01

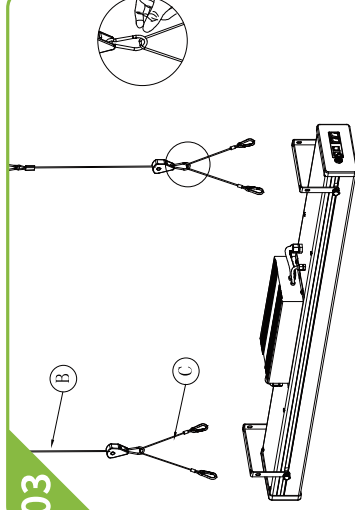


• Take everything out of box.

02

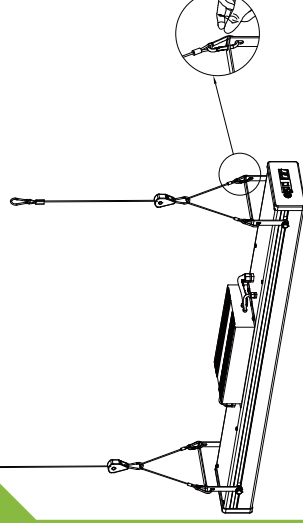


03

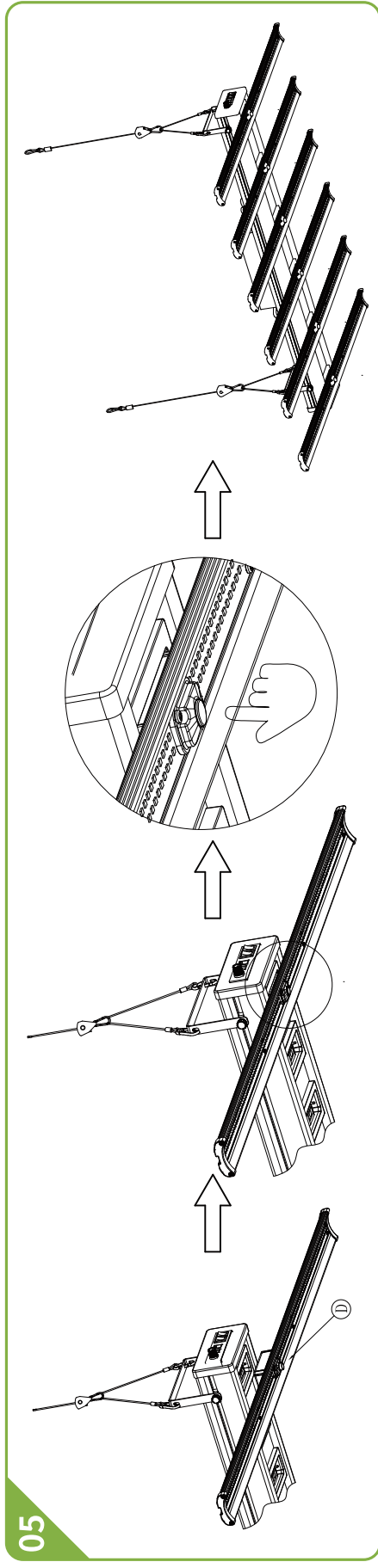


• Install the hanging cable.

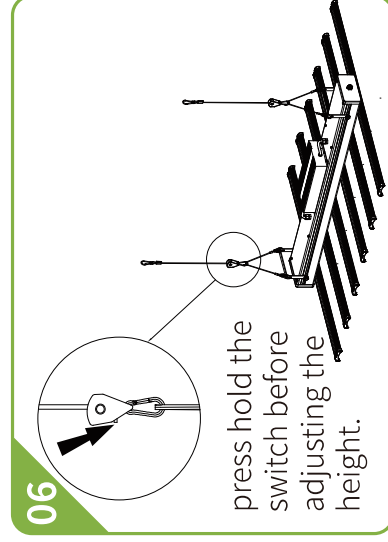
04



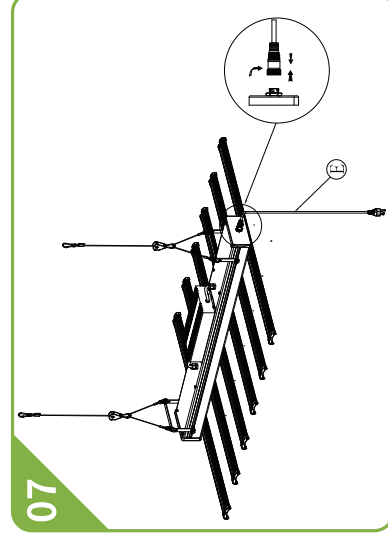
• Hook hanging cable to the chassis.



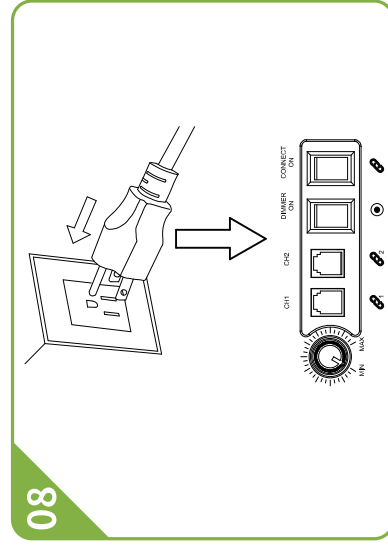
• Attach the light module to the chassis, press the button to lock. (Press again to remove the light module from the chassis.)



• Adjust the height by pull the cable.



• Connect the power cord.



• Plug in the power.
• Dim to the desired light.